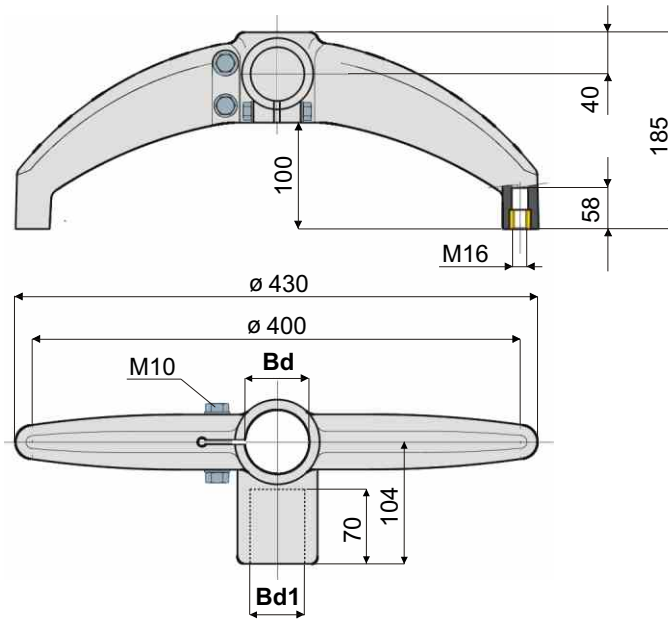


Support base (bipod at 180°)

Part. 202



Bd Bore for tubes of (mm) (Inches)	Bd1 (mm) (Inches)	Zinc plated bolts and nuts	Stainless steel bolts and nuts (AISI 304)	Tube unthreading load N	Max static load allowed N
		Code/Codice	Code/Codice		
60,3 2"	48,3 1"1/2	202 / 80622	202 / 80623	9600	15800
60,3 2"	42,4 1"1/4	202 / 80624	202 / 80625		
48,3 1"1/2	48,3 1"1/2	202 / 80626	202 / 80627		
48,3 1"1/2	42,4 1"1/4	202 / 80628	202 / 80629		
42,4 1"1/4	42,4 1"1/4	202 / 80630	202 / 80631		

MATERIALS: Base made out of reinforced polyamide, threaded bushing made out of brass, fixing bolts and nuts made out of stainless steel or zinc plated steel.

FEATURES: Max tightening torque 3,6 kgm

PACKAGING: 8 pieces.

ON REQUEST:

Bases: In reinforced polypropylene, other colours.

Packaging: Not standard

Assembling of: Screws, nuts, washers