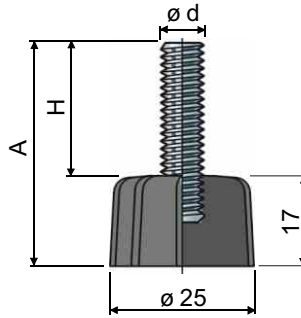


Fixed feet

base in reinforced polyamide



Ø 25 Part. 2

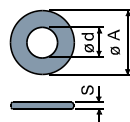


| $\varnothing d$ | A mm | H mm | Spindle in zinc plated steel | Spindle in stainless steel AISI 304 | Max static load N |
|-----------------|------|------|------------------------------|-------------------------------------|-------------------|
| | | | Code/Codice | Code/Codice | |
| M8 | 40 | 23 | 2 / 7702 | 2 / 7703 | 4000 |
| | 50 | 33 | 2 / 7706 | 2 / 7707 | |
| M10 | 40 | 23 | 2 / 7712 | 2 / 7713 | 5000 |
| | 50 | 33 | 2 / 7716 | 2 / 7717 | |
| M12 | 75 | 58 | 2 / 80156 | 2 / 80157 | 6000 |

Base material: reinforced polyamide.

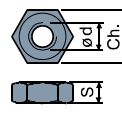
Packaging: 24 pieces.

Washers UNI 6592-69 - Packaging: 24 pieces.

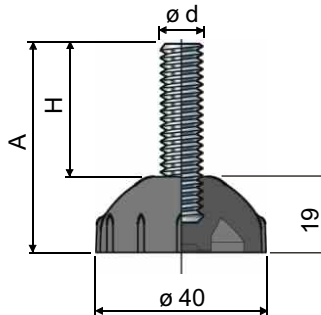
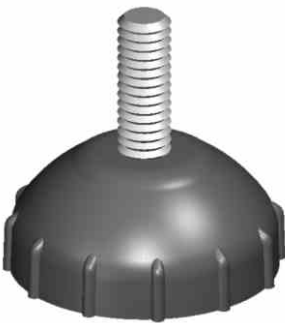


| $\varnothing d$ mm | 8,4 | 10,5 | 13 |
|------------------------|------|------|------|
| Smm | 1,6 | 2 | 2,5 |
| $\varnothing A$ mm | 17 | 21 | 24 |
| Zinc plated steel code | 7636 | 7283 | 7284 |
| Stainless steel code | 7637 | 7286 | 7287 |

Nuts UNI 5588-65 - Packaging: 24 pieces.



| $\varnothing d$ | M8 | M10 | M12 |
|------------------------|------|------|------|
| Smm | 6,5 | 8 | 10 |
| Ch. mm | 13 | 17 | 19 |
| Zinc plated steel code | 7634 | 7269 | 7270 |
| Stainless steel code | 7635 | 7272 | 7273 |



Ø 40 Part. 4

| $\varnothing d$ | A mm | H mm | Spindle in zinc plated steel | Spindle in stainless steel AISI 304 | Max static load N |
|-----------------|------|------|------------------------------|-------------------------------------|-------------------|
| | | | Code/Codice | Code/Codice | |
| M8 | 40 | 21 | 4 / 7722 | 4 / 7723 | 4000 |
| | 50 | 31 | 4 / 7726 | 4 / 7727 | |
| M10 | 40 | 21 | 4 / 7732 | 4 / 7733 | 5000 |
| | 50 | 31 | 4 / 7736 | 4 / 7737 | |
| M12 | 75 | 56 | 4 / 80158 | 4 / 80159 | 6000 |

Base material: reinforced polyamide.

Packaging: 24 pieces.

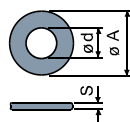
Accessories

Anti-slip pads:

- code: 7263;
- material: PVC rubber (black);
- Packaging: 24 pieces

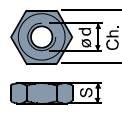


Washers UNI 6592-69 - Packaging: 24 pieces



| $\varnothing d$ mm | 8,4 | 10,5 | 13 |
|------------------------|------|------|------|
| Smm | 1,6 | 2 | 2,5 |
| $\varnothing A$ mm | 17 | 21 | 24 |
| Zinc plated steel code | 7636 | 7283 | 7284 |
| Stainless steel code | 7637 | 7286 | 7287 |

Nuts UNI 5588-65 - Packaging: 24 pieces



| $\varnothing d$ | M8 | M10 | M12 |
|------------------------|------|------|------|
| Smm | 6,5 | 8 | 10 |
| Ch. mm | 13 | 17 | 19 |
| Zinc plated steel code | 7634 | 7269 | 7270 |
| Stainless steel code | 7635 | 7272 | 7273 |

On request

Bases: In reinforced polypropylene • other colours

Packaging: not standard

Assembling of: Anti-slip pads • nuts • washers.